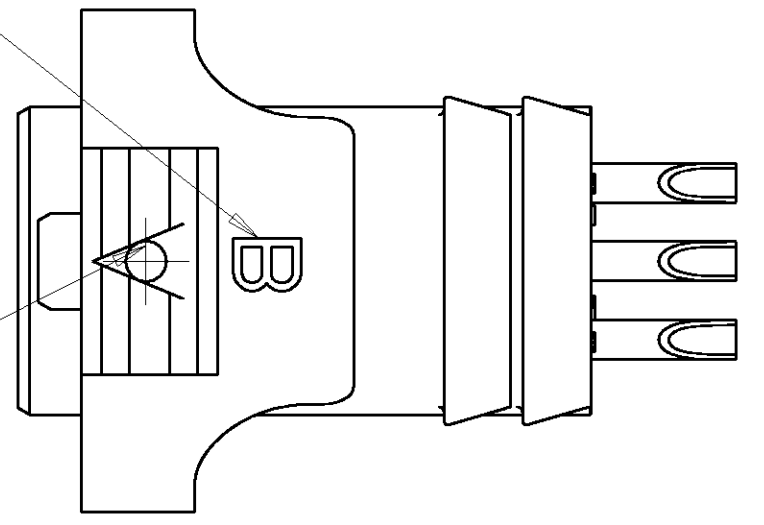


THIS DRAWING IS UNPUBLISHED. RELEASED FOR PUBLICATION 20  
 © COPYRIGHT 20 BY TYCO ELECTRONICS CORPORATION. ALL RIGHTS RESERVED.

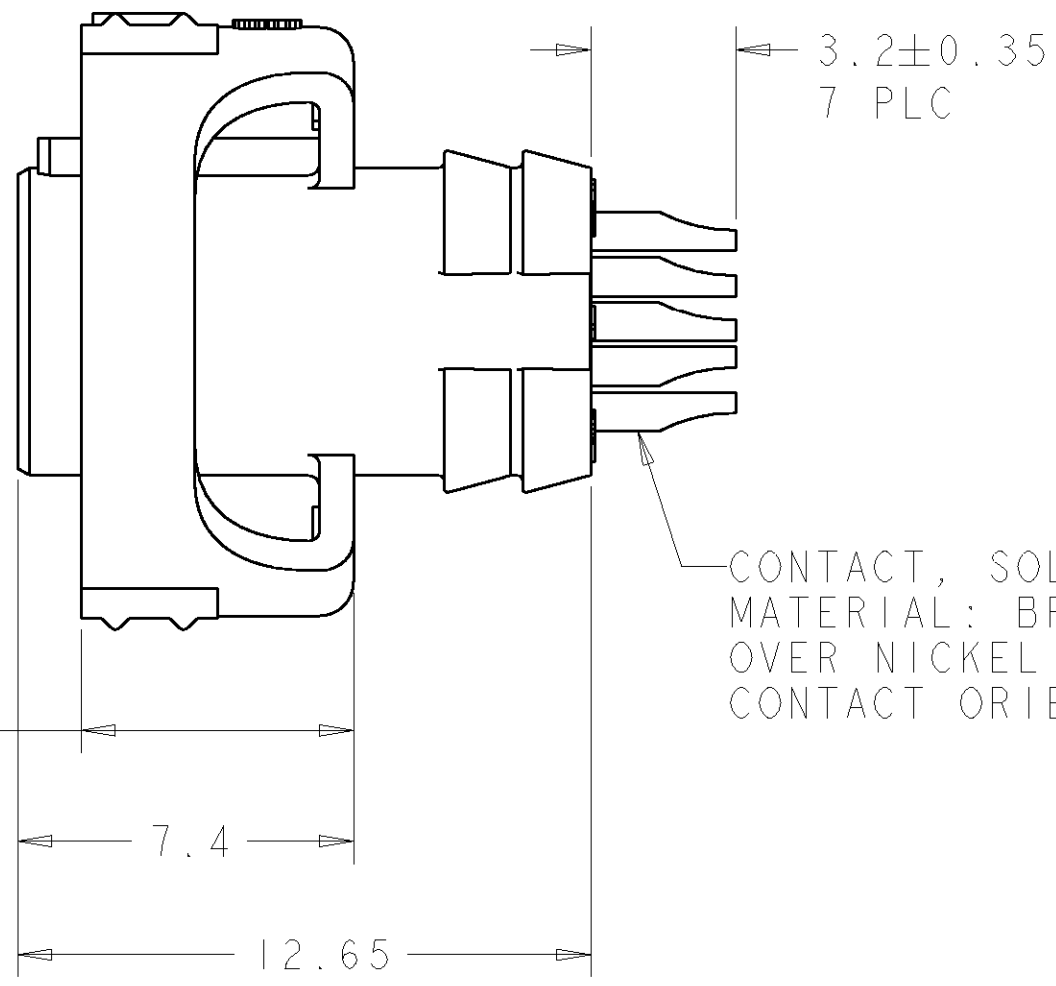
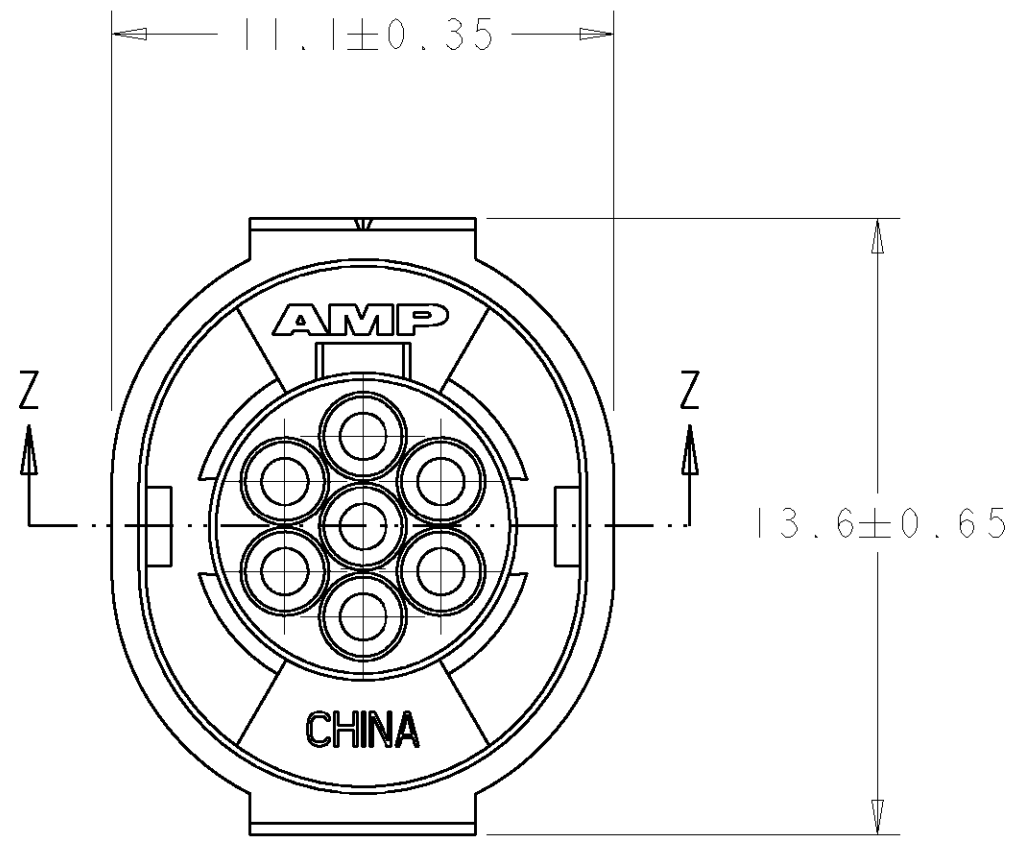
LOC	DIST	REVISIONS					
FT	0	P	LTR	DESCRIPTION	DATE	DWN	APVD
		A		RELEASED EC 063B-0570-04	27JUL2004	SW	HW

LATCH IDENTIFIER  
 B-BREAKAWAY LATCH  
 BREAKAWAY VERSION ONLY,  
 MAY BE ORIENTED  
 IN ANY DIRECTION

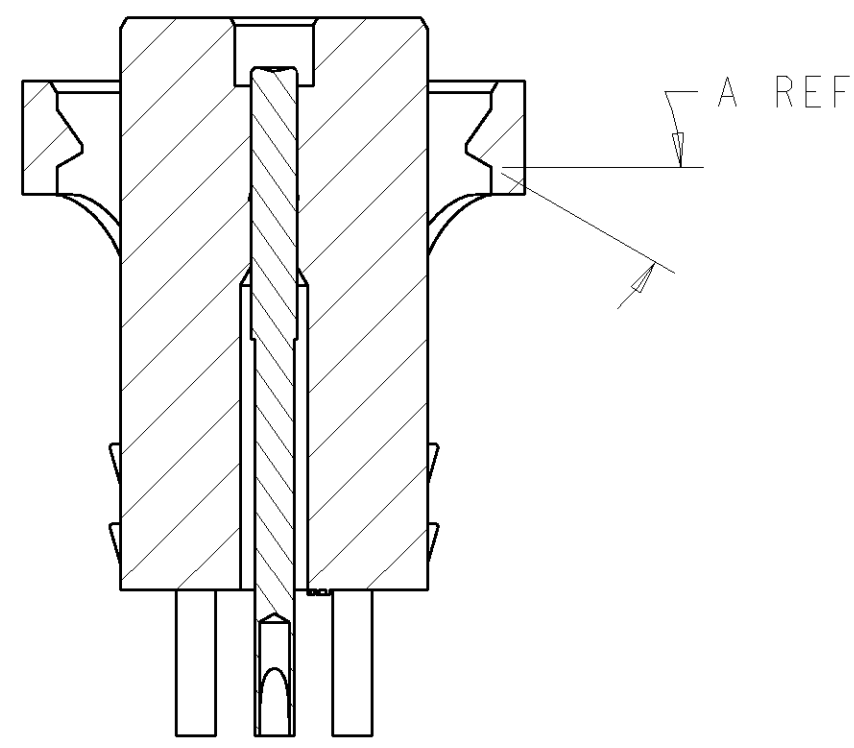
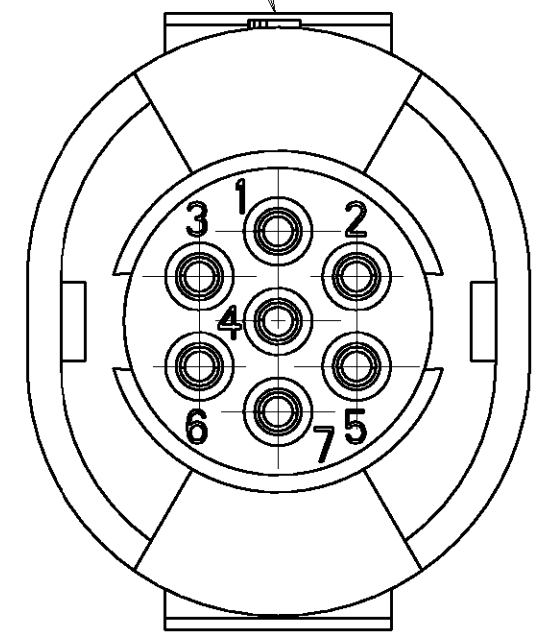
ALIGNMENT INDICATOR



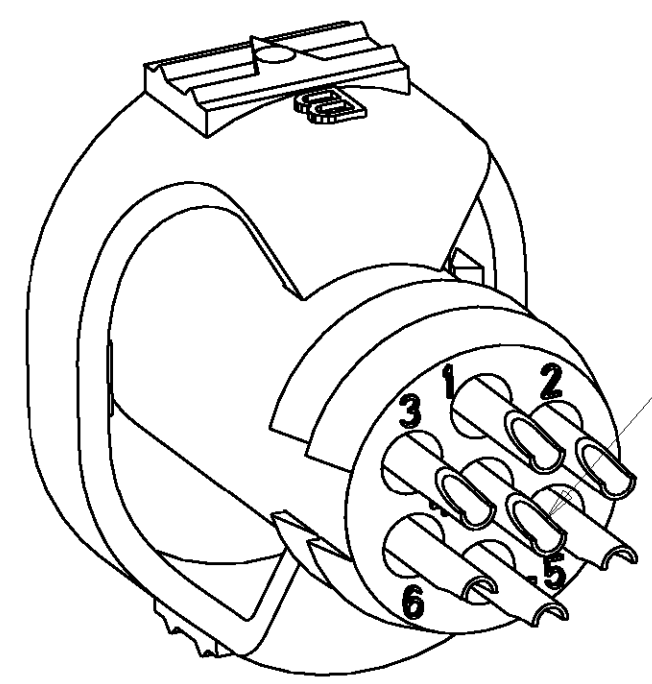
HOUSING, QTY-1  
 MATERIAL: THERMOPLASTIC, COLOR-SEE TABLE



CONTACT, SOLDER CUP, QTY-7  
 MATERIAL: BRASS FINISH: GOLD  
 OVER NICKEL SEE VIEW W FOR  
 CONTACT ORIENTATION



SECTION Z-Z



VIEW W

SOLDER TERMINATION  
 AREA OF CONTACT IN  
 CIRCUIT #4 MAY BE  
 ORIENTED UP OR DOWN

WHITE	1, 7.	2	BREAKAWAY	30°	1-1445322-2
BLACK	1, 7.	2	POSITIVE	0°	1-1445322-1
WHITE	2, 3, 7.	3	BREAKAWAY	30°	1-1445322-0
BLACK	2, 3, 7.	3	POSITIVE	0°	1445322-09
WHITE	2, 3, 5, 6.	4	BREAKAWAY	30°	1445322-08
BLACK	2, 3, 5, 6.	4	POSITIVE	0°	1445322-07
WHITE	2, 3, 4, 5, 6.	5	BREAKAWAY	30°	1445322-06
BLACK	2, 3, 4, 5, 6.	5	POSITIVE	0°	1445322-05
WHITE	1, 2, 3, 5, 6, 7.	6	BREAKAWAY	30°	1445322-04
BLACK	1, 2, 3, 5, 6, 7.	6	POSITIVE	0°	1445322-03
WHITE	ALL	7	BREAKAWAY	30°	1445322-02
BLACK	ALL	7	POSITIVE	0°	1445322-01
HOUSING COLOR	CIRCUITS LOADED	QTY	LATCH	A	PART NUMBER

THIS DRAWING IS A CONTROLLED DOCUMENT FOR TYCO ELECTRONICS CORPORATION. IT IS SUBJECT TO CHANGE AND THE CONTROLLING ENGINEERING ORGANIZATION SHOULD BE CONTACTED FOR THE LATEST REVISION.

DWN: G. DOUITY 15FEB2001  
 CHK: H. WAKEEM 27JUL2004  
 APVD: H. WAKEEM 27JUL2004

**tyco Electronics** Tyco Electronics  
 Harrisburg, PA 17105-3608

NAME: ASSEMBLY, PLUG SOLDER CUP, MICRO CPC

SIZE: A2 CAGE CODE: 00779 DRAWING NO: 1445322 RESTRICTED TO: -

MATERIAL: SEE NOTE TOLERANCES UNLESS OTHERWISE SPECIFIED: SEE NOTE

0 PLC ±  
 1 PLC ±  
 2 PLC ±0.13  
 3 PLC ±  
 4 PLC ±  
 ANGLES ±  
 FINISH SEE NOTE

PRODUCT SPEC: -  
 APPLICATION SPEC: -  
 WEIGHT: -

CUSTOMER DRAWING SCALE: 6:1 SHEET 1 OF 1 REV A